

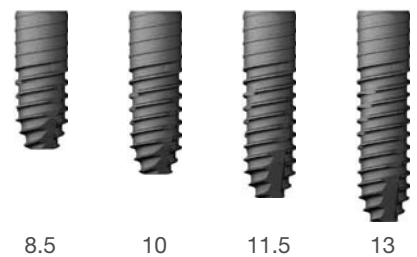


ETIII Ø3.2 Implant

Conventional Implant for Restrictive Spaces

ETIII 3.2 is designed for the restrictive spaces of the esthetic zone, like the lateral incisors. The 3.2 two-piece offers wider restorative options and ideal esthetic results.

HIOSSEN
IMPLANT

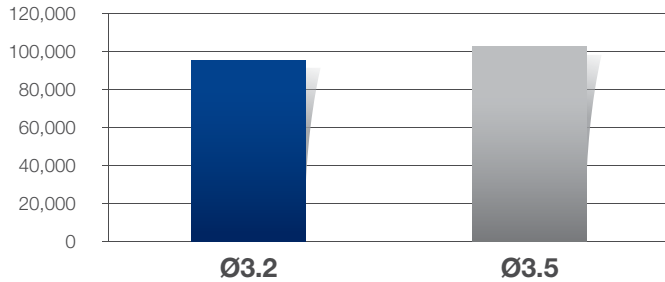


Conventional Implant for Restrictive Spaces

ETIII Ø3.2 Implant

Smaller does not mean weaker

Fatigue life (cycle)



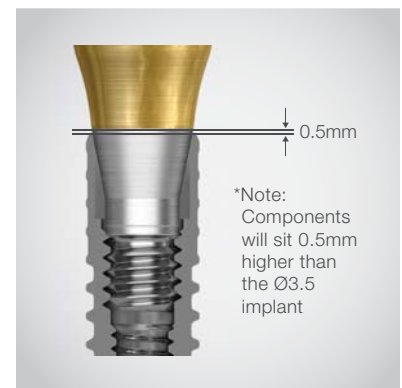
The ETIII Ø3.2 is made from a high grade Ti-alloy which is resistant to fatigue and fracture.

*Results of a 5mm cantilever fatigue test applying a load of 350Mcm. The 3.2 withstands fatigue just as well as the 3.5.

Compatible with ETIII Ø3.5 components, reducing stock burdens

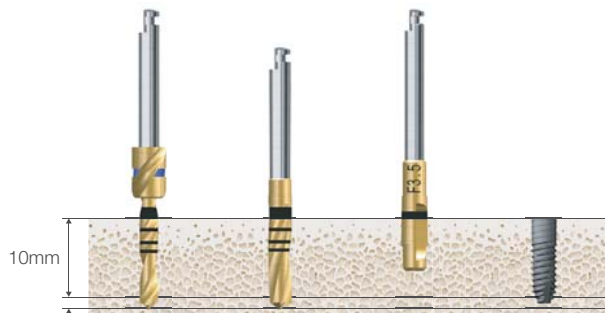


*Ø3.5 cover screws and lab analogs are not compatible. Use only Ø3.2 specific cover screw and analogs.



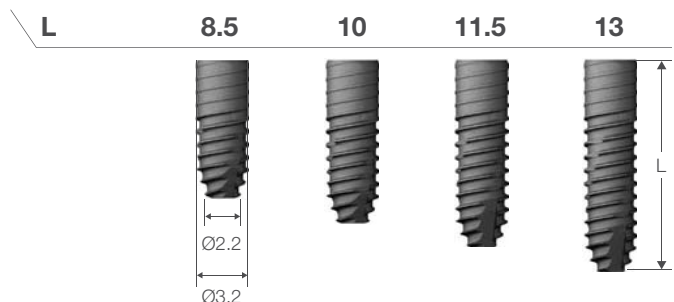
Drilling Sequence & Spec.

Drilling Sequence



Bone quality	Ø 2.2 drill	Ø 2.7 drill	F3.0 cortical drill	3.2 fixture
Soft	•			
Normal	•	•		Implant placement
Hard	•	•	•	

Spec.



HIOSSEN
IMPLANT

85 Ben Fairless Drive, Fairless Hills, PA 19030
Tel: 888-678-0001 • www.hiossen.com